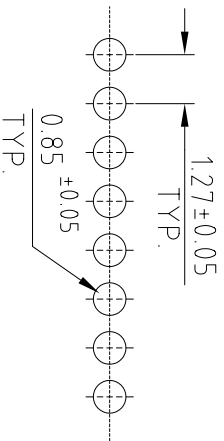
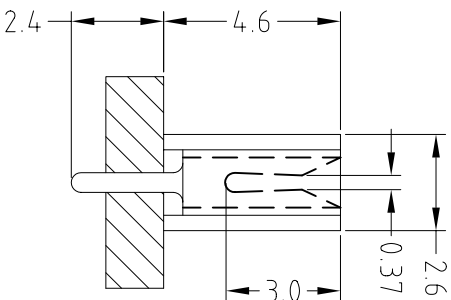


Dim A: 1.27x(No. of contact -1)
 Dim B: 1.27x(No. of contact)



RECOMMENDED PCB LAYOUT



FEATURES
 Available in 06-40 circuits

MATERIAL
 Contact material: Brass
 Insulator Material: Polyester, UL 94 V-0

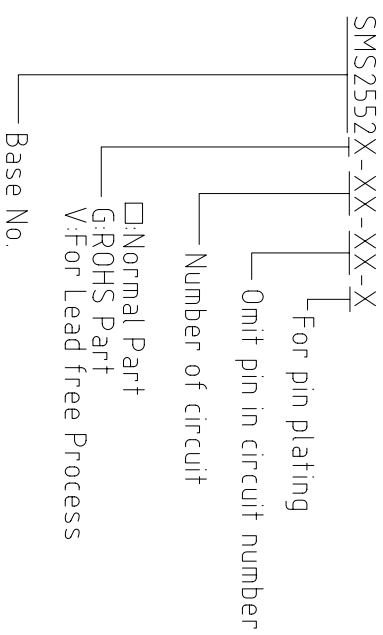
FINISH

Contact: Tin / Gold Plated options available

SPECIFICATIONS

Current Rating: 1AMPS
 Insulation resistance: 1000 MΩ min.
 Dielectric withstanding Voltage: 500 VAC/DC
 Operating Temperature: -45°C to +105°C
 Contact resistance: 20m Ω max.

HOW TO ORDER



LONG CHU ELECTRONICS CO. LTD
LCU 龍竹企業股份有限公司

DESCRIPTION: 1.27mm single row female header

REV.	REV. RECORD	DATE	MATERIAL	UNIT	DESCRIPTION	SIZE	P/N	SHEET NO.
			SEE LIST	mm	1.27mm single row female header	A4	SMS2552 SERIES	
			DR. KELLY	RE.				
			CHK.	APP.				
					GENERAL TOLERANCE			
					0. ±±.50	0.° ±±5°		
					0.0 ±±.30	0.0° ±±1°		
					0.00 ±±.20			